

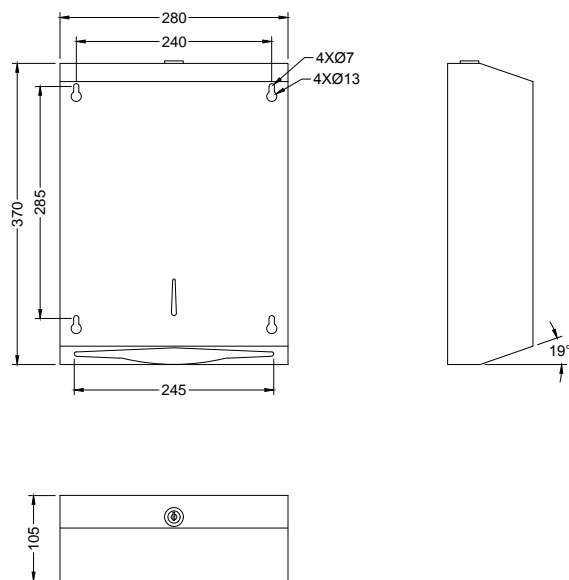
Paper Towel Dispenser, Wall Mounted

PRODUCT SPECIFICATIONS

- Dimensions : 280(L) x 105(W) x 370(H)mm
- Material : S/S 304
- Finishing front panel : Hairline



TECHNICAL DRAWING



Copyright © Rigel Technology (S) Pte Ltd All rights reserved.

DISCLAIMER : While every effort has been made to ensure factual accuracy, the information presented is subject to changes due to requirements in different sites, markets and / or countries. Rigel reserves the right to make the necessary amendments at any time without prior notice.

Rev : 0.2
Date : 03.03.2020